



Non Captive NEMA 34 86x86mm Lead Screw Linear Motion Stepper Motor

Our Product Introduction

Basic Information

- Place of Origin: Changzhou, China
- Brand Name: Hontru
- Certification: CE ISO RoHS
- Model Number: 86mm Linear Stepper Motor
- Minimum Order Quantity: 1 set
- Price: Negotiation
- Packaging Details: Foam+Hard Carton or Wooden Case+Waterproof film
- Delivery Time: 5-10 working days
- Payment Terms: T/T, PayPal, Western Union
- Supply Ability: 10000pcs/month



Product Specification

- Name: 86mm Linear Stepper Motor
- Phase Number: 2
- Step Angle Accuracy IP Rating: $\pm 5\%$
- Certification: 40
- Insulation Level: RoHS CE ISO9001 B(130)
- Operating Ambient Temperature: -20 ~ +50
- Highlight: **linear motion stepper motor, linear motor stepper, linear screw stepper motor**



for more products please visit us on hontrumotor.com

Product Description

86mm Linear Stepper Motor

Phase number	2
Step angle accuracy IP rating	±5%
Certification	40
Insulation level	RoHS CE ISO9001 B(130)
Operating ambient temperature	-20 ~ +50

Motor parameters

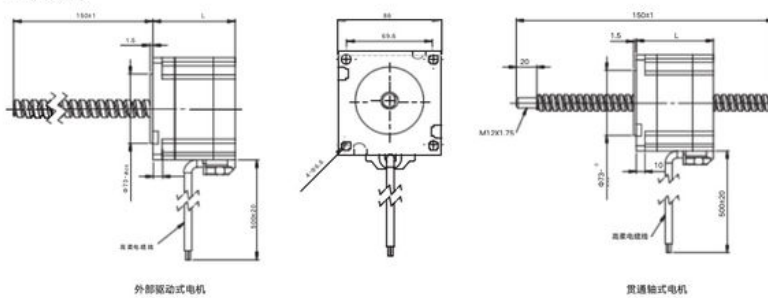
Motor Type	Body L(mm)	Holding torque(N.m)	Rated current(A)	Resistance(Ω)	Rated inductance(mH)	Rated voltage(V)
86	76mm	4.5	6A	0.5Ω	5.6mH	3V
	114mm	8.5	6A	0.79Ω	10mH	4.74V

Screw parameters :

diameter(mm)	Screw diameter(inch)	Lead(mm)	Lead(inch)	Step Length 1.8°(°)	Nut axial clearance
15.875	15.875	2.54	0.1	0.0005	0.02-0.03mm
15.875	15.875	3.175	0.125	0.0006	0.02-0.03mm
15.875	15.875	5.08	0.2	0.001	0.02-0.03mm
15.875	15.875	6.35	0.25	0.0013	0.02-0.03mm
15.875	15.875	12.7	0.5	0.0025	0.02-0.03mm
15.875	15.875	25.4	1	0.005	0.02-0.03mm

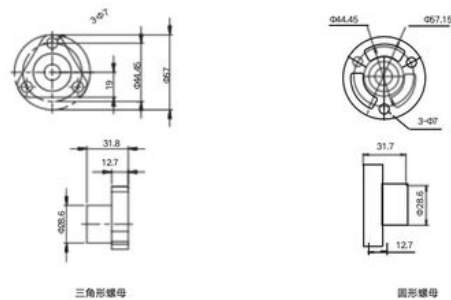
Dimensions

■ 外形图



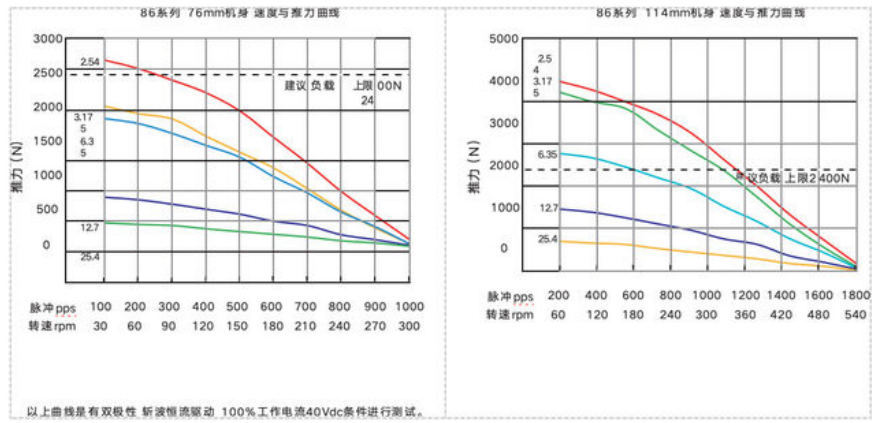
Screw Type


■ 螺母类型




Dynamic thrust curve

■ 动态推力曲线图



 changzhou hontru motor co.ltd

 86+13401375856

 13401375856@163.com

 hontrumotor.com

No. 66, Huachang Road, Yaoguan Town, Wujin District, Changzhou City, Jiangsu Province